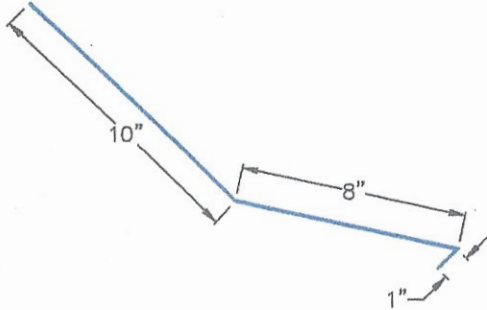
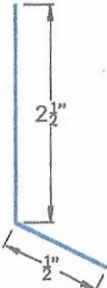
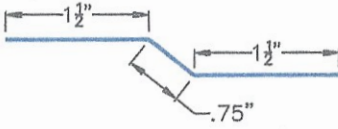
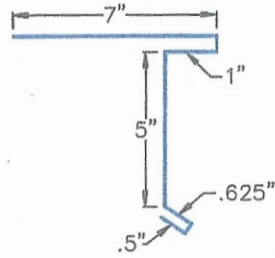
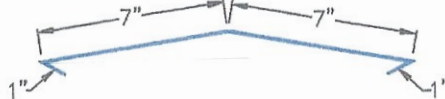
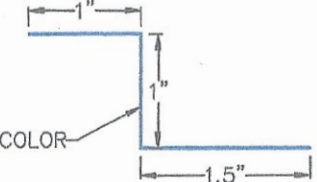
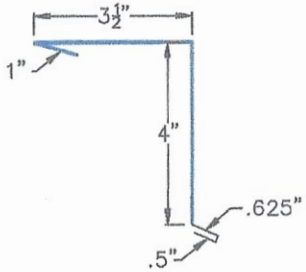
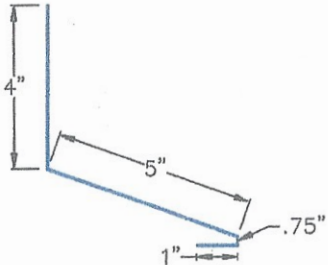
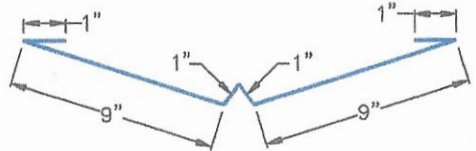
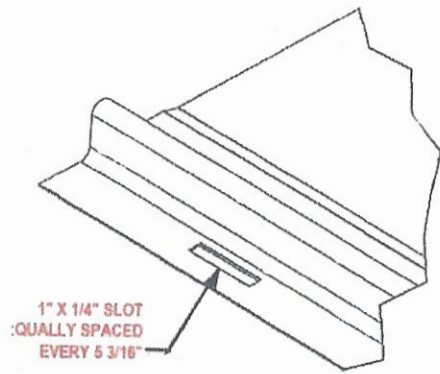


HOMWOOD METAL-STANDING SEAM TRIM

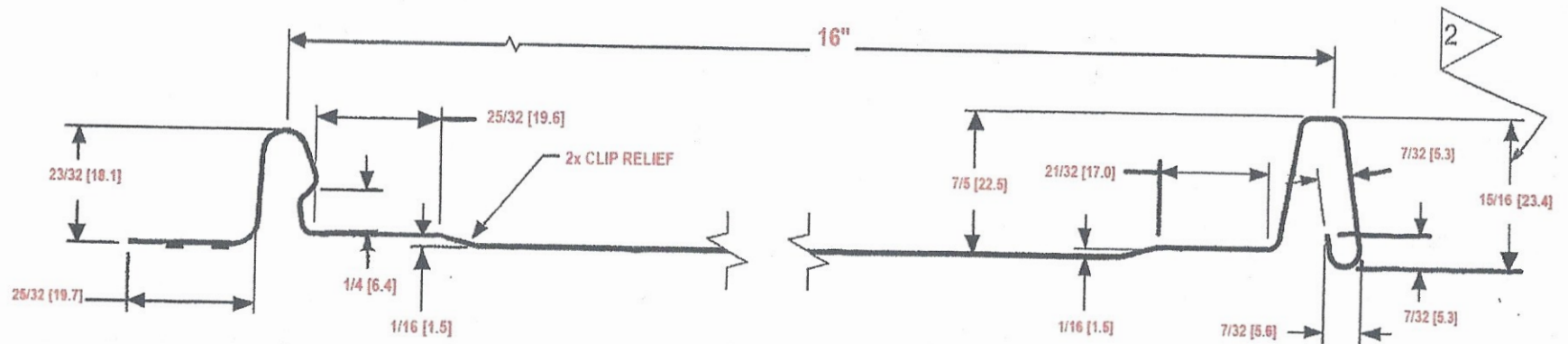
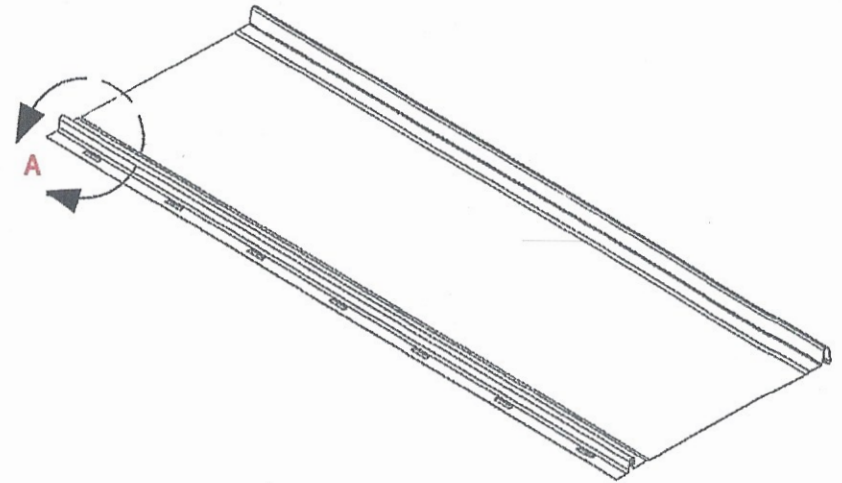
 <p>10" 8" 1"</p> <p><u>TRANSITION</u></p>	 <p>2 1/2" 1 1/2"</p> <p><u>CONTINUOUS CLEAT</u></p>	 <p>1 1/2" 1 1/2" .75"</p> <p><u>VALLEY CLEAT</u></p>
 <p>7" 1" 5" .625" .5"</p> <p><u>DRIP EDGE</u></p>	 <p>7" 7" 1" 1"</p> <p><u>RIDGE CAP</u></p>	 <p>1" 1" 1.5"</p> <p>COLOR</p> <p><u>ZEE BAR</u></p>
 <p>3 1/2" 1" 4" .625" .5"</p> <p><u>RAKE</u></p>	 <p>4" 5" .75" 1"</p> <p><u>END/SIDE WALL</u></p>	 <p>1" 1" 1" 9" 9"</p> <p><u>VALLEY</u></p>

DIMENSIONS ARE NOT EXACT *DIMENSIONS ARE NOT TO SCALE*

Homewood Metalworks, Inc.



DETAIL A



SCT